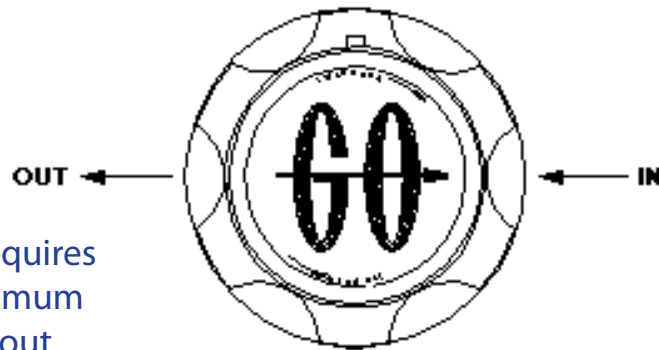
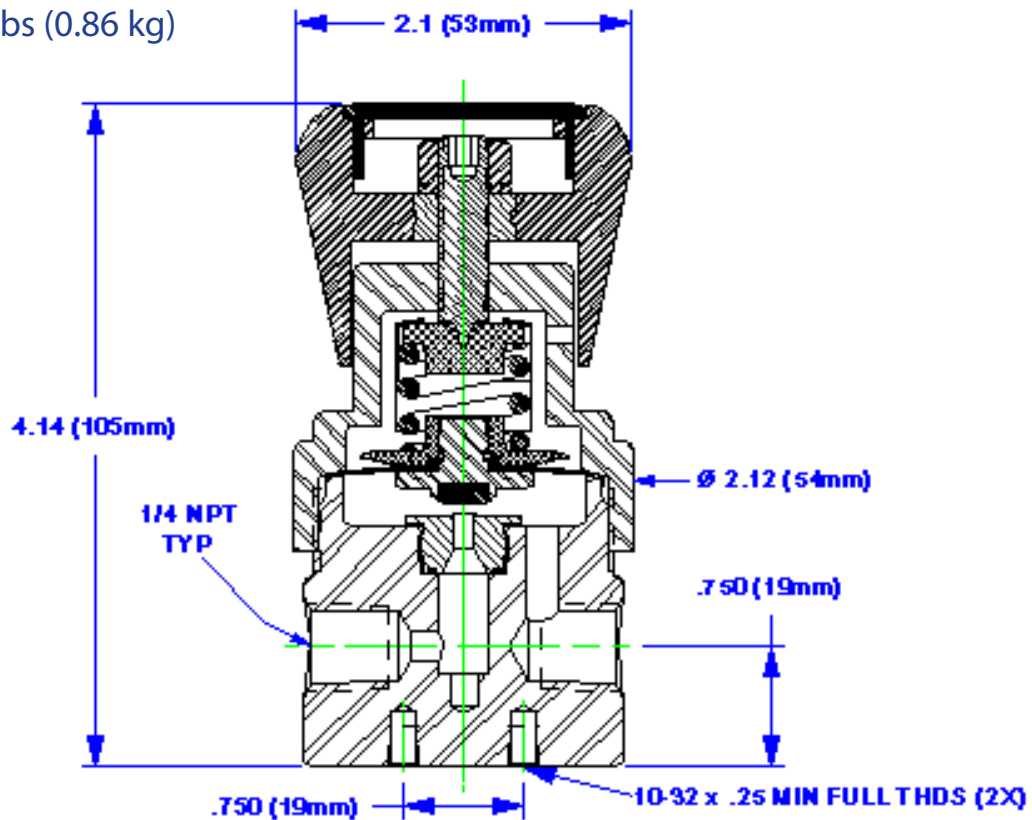


## BP-3 Back Pressure Control Regulators Outline & Mounting Dimensions



Panel mount option requires  
1.390" (35.3 mm) minimum  
diameter panel cut out

Weight – 1.9 lbs (0.86 kg)



## GO Regulator

405 Centura Court • PO Box 4866 • Spartanburg, SC 29303  
Phone (864) 574-7966 • Fax (864) 574-5608  
www.goreg.com • sales@goreg.com