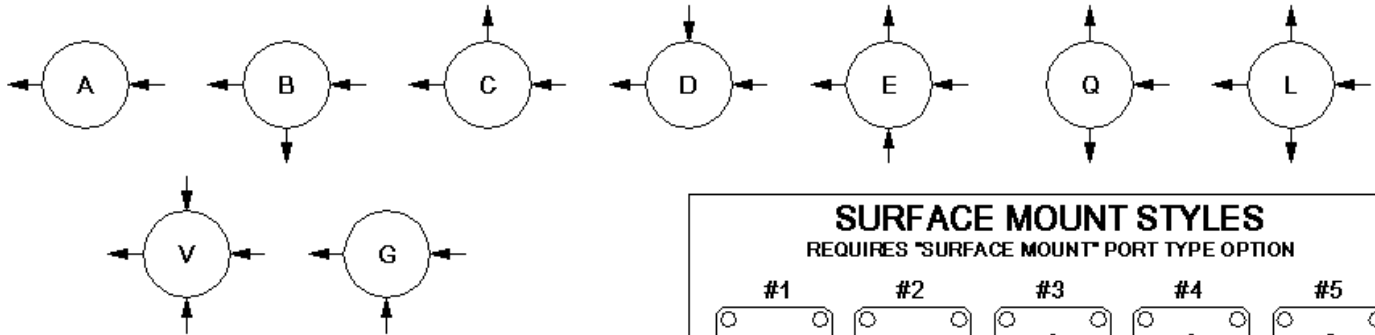
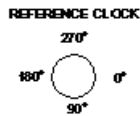


**LB-1 Series Pressure Control Regulators  
Porting Styles**



ARROW POINTING TOWARD  
BODY IS INLET  
ARROW POINTING AWAY  
FROM BODY IS OUTLET  
LOCATION OF PORTS FROM  
TOP VIEW



**SURFACE MOUNT STYLES**  
REQUIRES "SURFACE MOUNT" PORT TYPE OPTION

#1	#2	#3	#4	#5

CENTER PORT IS OUTLET, ALL OTHER  
PORTS ARE INLETS  
LOCATION OF PORTS FROM BOTTOM VIEW

**GO Regulator**

405 Centura Court • PO Box 4866 • Spartanburg, SC 29303  
Phone (864) 574-7966 • Fax (864) 574-5608  
[www.goreg.com](http://www.goreg.com) • [sales@goreg.com](mailto:sales@goreg.com)