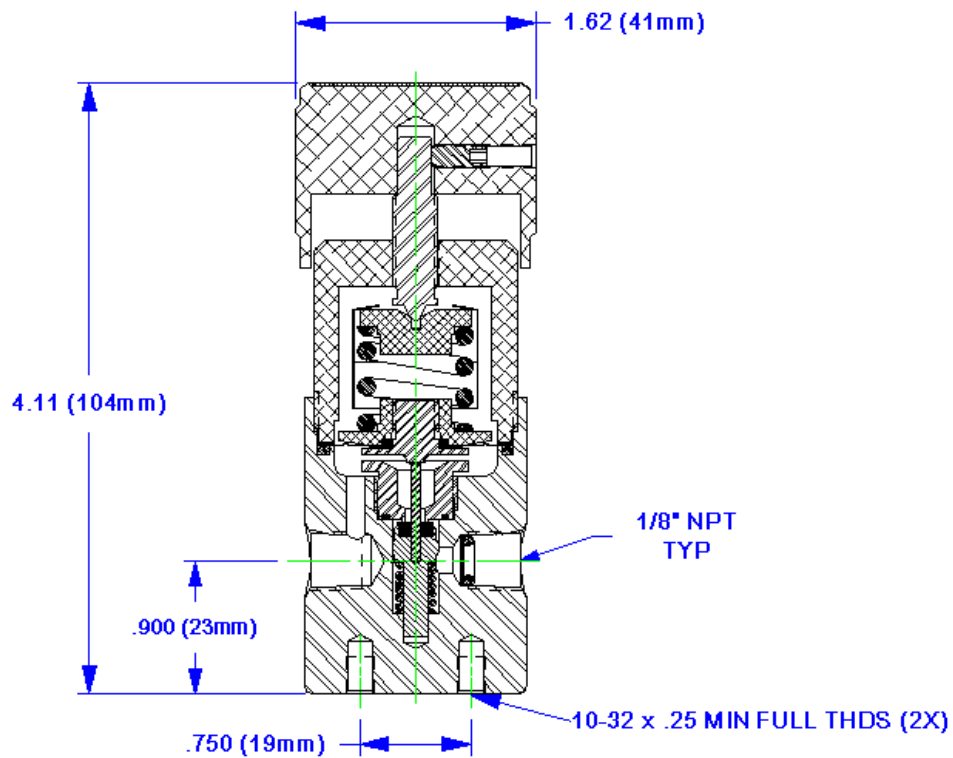


## CPR-5 Series Regulators Outline & Mounting Dimensions

Panel mount option requires  
1.390" (35.3 mm) minimum  
diameter panel cut out



Weight – 1.1 lbs (0.50 kg)



---

## GO Regulator

405 Centura Court • PO Box 4866 • Spartanburg, SC 29303  
Phone (864) 574-7966 • Fax (864) 574-5608  
www.goreg.com • sales@goreg.com