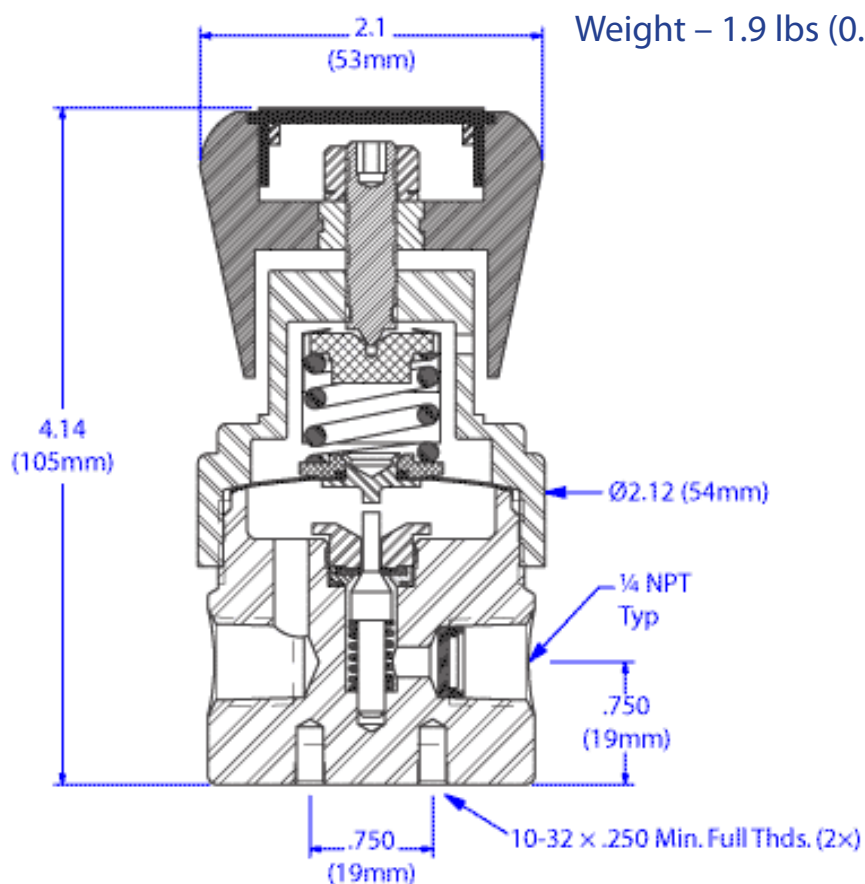


*PR-1 Series Pressure Regulator  
Outline & Mounting Dimensions*



Panel mount option requires 1.390" (35.3 mm) minimum diameter panel cut out



**GO Regulator**

405 Centura Court • PO Box 4866 • Spartanburg, SC 29303  
 Phone (864) 574-7966 • Fax (864) 574-5608  
 www.goreg.com • sales@goreg.com