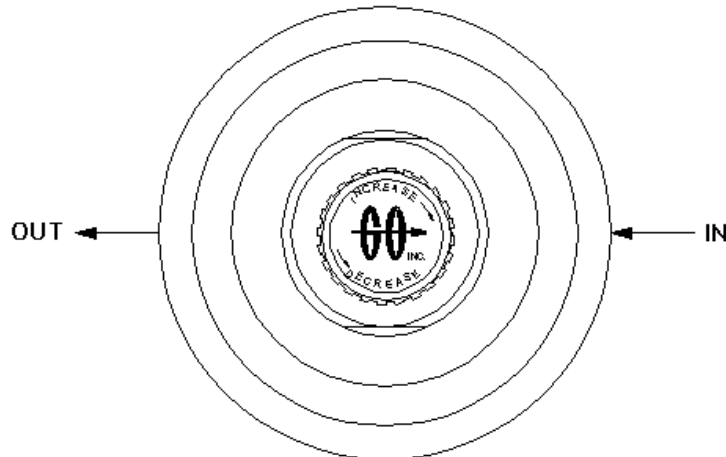
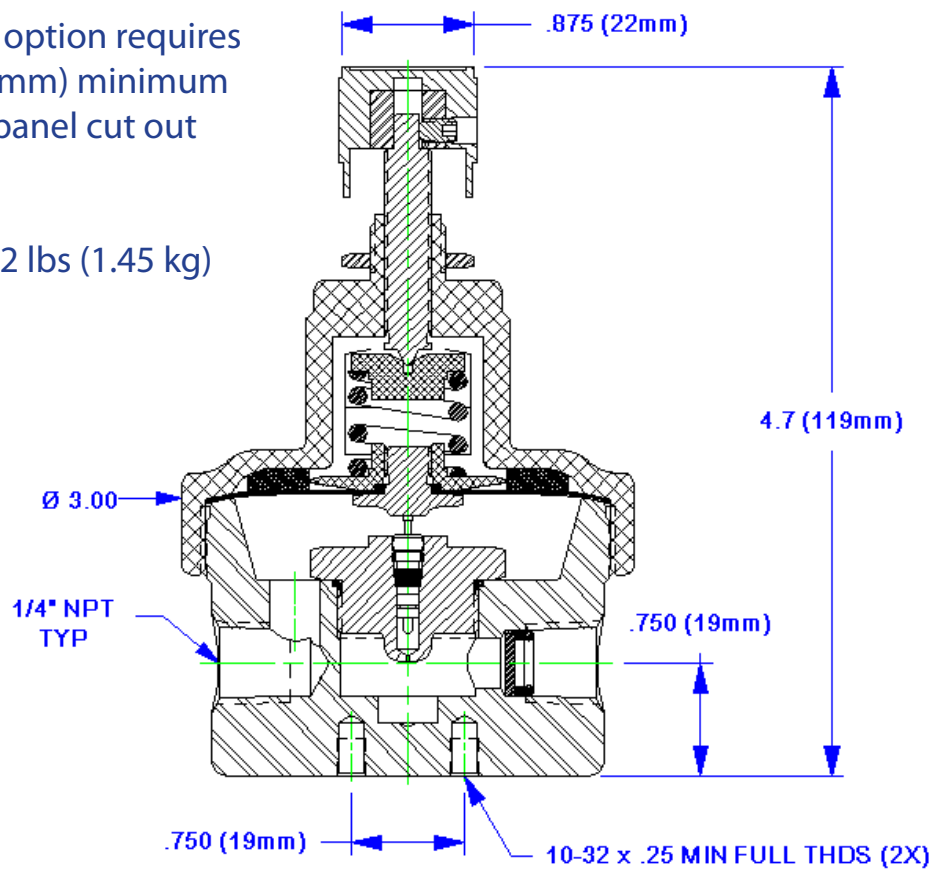


PR-7ULF Series Pressure Regulator Outline & Mounting Dimensions



Panel mount option requires
1.390" (35.3 mm) minimum
diameter panel cut out

Weight – 3.2 lbs (1.45 kg)



GO Regulator

405 Centura Court • PO Box 4866 • Spartanburg, SC 29303
Phone (864) 574-7966 • Fax (864) 574-5608
www.goreg.com • sales@goreg.com