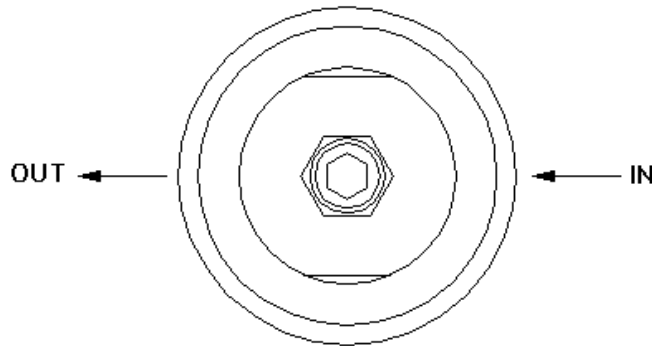
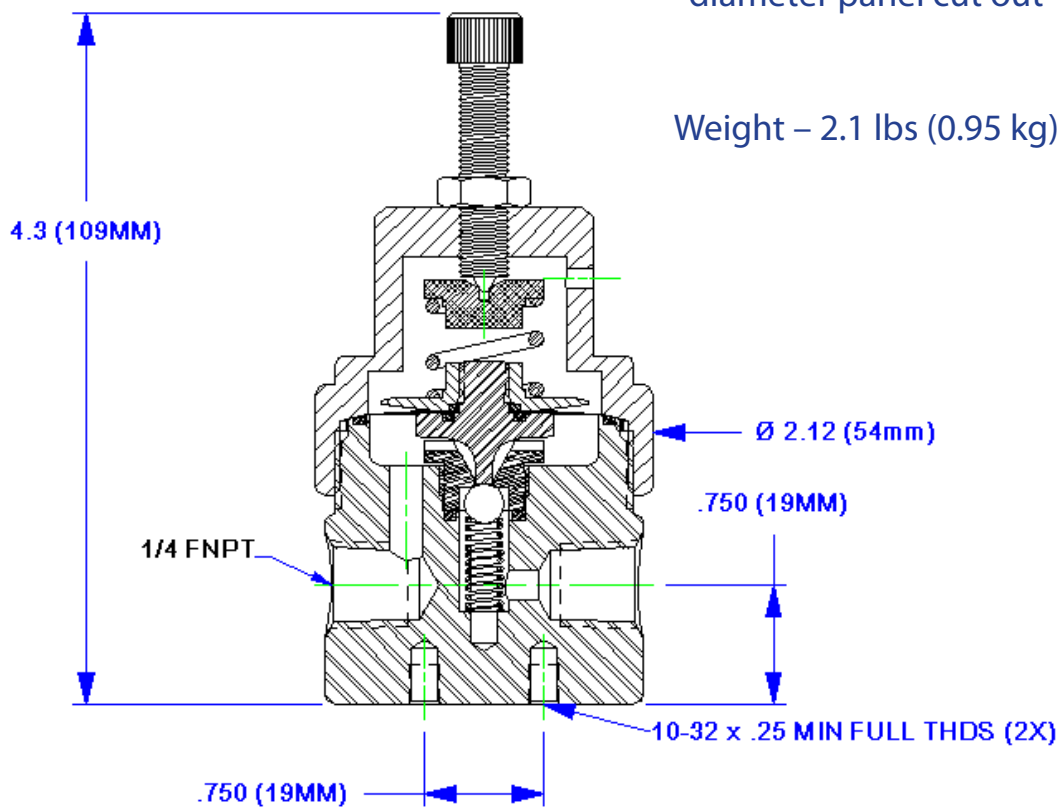


**PR-9 Series Pressure Regulator  
Outline & Mounting Dimensions**



Panel mount option requires  
1.390" (35.3 mm) minimum  
diameter panel cut out

Weight – 2.1 lbs (0.95 kg)



**GO Regulator**

405 Centura Court • PO Box 4866 • Spartanburg, SC 29303  
Phone (864) 574-7966 • Fax (864) 574-5608  
www.goreg.com • sales@goreg.com