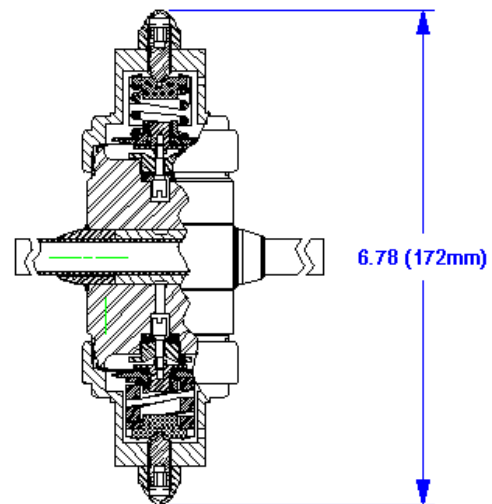
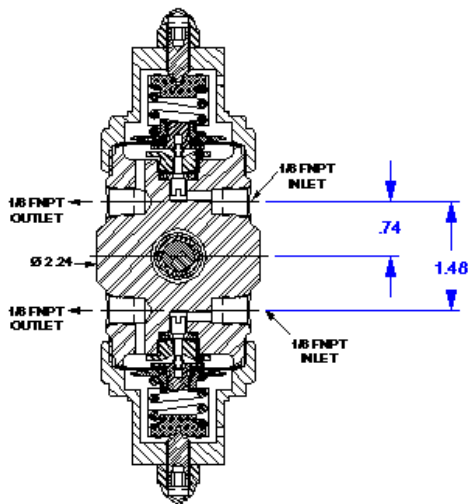
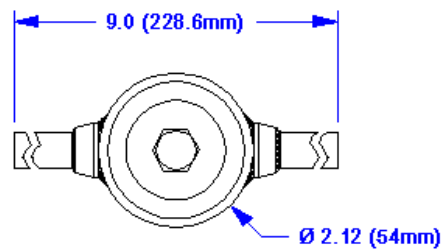


## Dual Steam Heated Vaporizing Regulator Outline & Mounting Dimensions

Panel mount option requires  
1.390" (35.3 mm) minimum  
diameter panel cut out

Weight – 4.0 lbs (1.81 kg)



## GO Regulator

405 Centura Court • PO Box 4866 • Spartanburg, SC 29303  
Phone (864) 574-7966 • Fax (864) 574-5608  
[www.goreg.com](http://www.goreg.com) • [sales@goreg.com](mailto:sales@goreg.com)