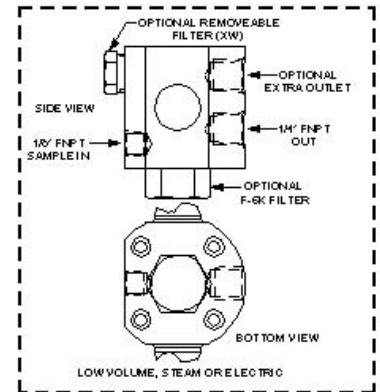
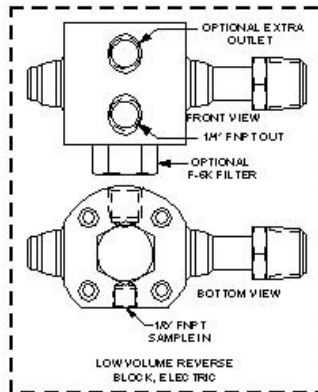
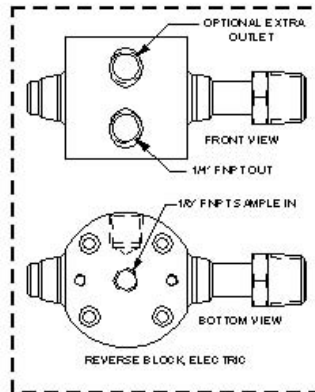
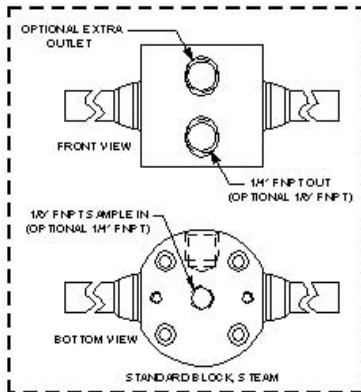
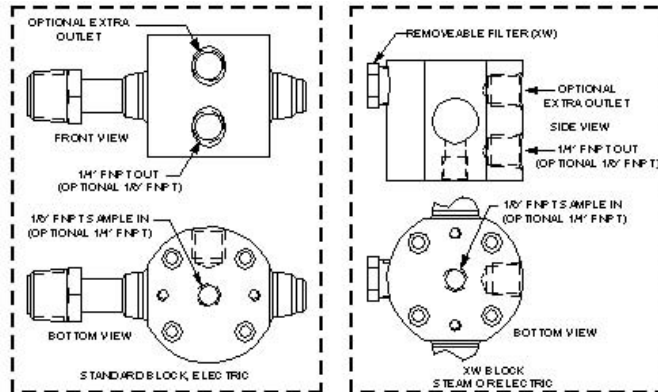


**HPR-2 Electrically Heated Vaporizing Regulator  
Heater Block Porting Styles**



**GO Regulator**

405 Centura Court • PO Box 4866 • Spartanburg, SC 29303  
Phone (864) 574-7966 • Fax (864) 574-5608  
www.goreg.com • sales@goreg.com