

COM-1 Series

Crossover Manifold Regulator System



The COM-1 Series crossover manifold system consists of two PR-1-type stainless steel regulators (PR-2-type brass, optional) mounted on a panel-mounting-type bracket shown with optional gauges. The primary regulator, supplied with a tamper-proof nut, is set at an outlet operating pressure at least 15 psig higher than the secondary regulator (supplied with a standard adjusting knob). As the primary supply source depletes and the operating outlet pressure of the primary regulator falls below the preset operating pressure of the secondary regulator, the secondary regulator takes over. Once this occurs, the secondary regulator can be manually adjusted 1/8-turn clockwise, the secondary regulator is now the primary and the depleted supply source can be replaced.

Features & Specifications

- Inlet pressure to 6000 psig
- Outlet pressures range: 0–10 psig, 0–25 psig, 0–50 psig, 0–100 psig, 0–250 psig, or 0–500 psig
- Changeover pressures: 15–250 psig
- Cv flow coefficients: 0.025, 0.06, 0.2, 0.5
- All connections: 1/4" FNPT
- 20 micron inlet filter
- 316L stainless steel construction; Brass and MONEL® optional
- Seat materials of PCTFE, Tefzel®, PEEK™
- Bubble-tight shutoff
- 2" diameter gauges (optional)
- Operating temperatures –40° F to +500° F (–40° C to +260° C)
- Bracket mounted for easy installation
- PTFE lined INCONEL® diaphragm standard

pressure regulators

COM-1 Series

To Order, contact your local Distributor Link below:
www.goreg.com/distributor/index.htm

Verify that your chosen part number is valid using the GO Wizards at
www.goreg.com/products/matrix/index.htm

How to Order

Standard items in bold

COM1 - 1 A 3 C 1 A

BODY MATERIAL

- 1 316L stainless steel, stainless steel diaphragm
- 2 Brass, stainless steel diaphragm
- 4 MONEL®, INCONEL® diaphragm
- C 316L stainless steel, INCONEL® diaphragm**

SEAT MATERIAL

- A Tefzel®**
- B CF PTFE
- H PCTFE
- Q PEEK™

OPTIONS

- A** EB33 (oxygen cleaning)
- B** EB5 cleaning
- D** Helium leak test
- E** Pressure test certificate
- F** Certificate of Conformity
- G** CMTR

GAUGES

- 1** Include gauges
- 2** Omit gauges
- 3** Customer-supplied, to be factory installed

OUTPUT RANGE

- C** 0-10 psig
- D** 0-25 psig
- E** 0-50 psig
- G** 0-100 psig
- I** 0-250 psig
- J** 0-500 psig

FLOW COEFFICIENT (Cv)

- 3** 0.06
- 5** 0.2
- C** 0.025
- H** 0.5

Maximum Temperature & Operating Inlet Pressures

SEAT MATERIAL	MAXIMUM TEMPERATURE		MAXIMUM OPERATING INLET PRESSURE
Tefzel®	150° F (66° C)	@	3600 psig (24.82 MPa)
PCTFE	175° F (80° C)	@	6000 psig (41.37 MPa)
PEEK™	500° F (260° C)	@	3600 psig (24.82 MPa)
PEEK™	175° F (80° C)	@	6000 psig (41.37 MPa)
CF PTFE	175° F (80° C)	@	3600 psig (24.82 MPa)

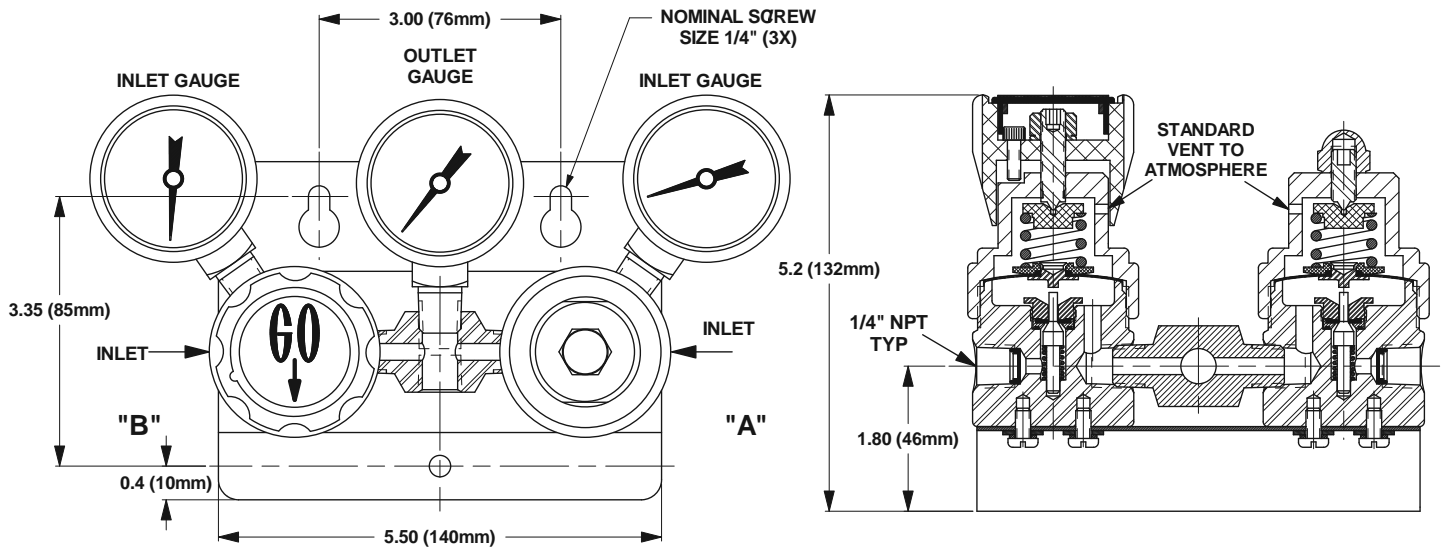
Brass

SEAT MATERIAL	MAXIMUM TEMPERATURE		MAXIMUM OPERATING INLET PRESSURE
Tefzel®	150° F (66° C)	@	3600 psig (24.82 MPa)
PCTFE	175° F (80° C)	@	3600 psig (41.37 MPa)
PEEK™	175° F (80° C)	@	3600 psig (41.37 MPa)
CF PTFE	175° F (80° C)	@	3600 psig (24.82 MPa)

NOTE: Contact the factory for any additional requirements.

Outline & Mounting Dimensions

Weight = 5.2 lbs (2.36 kg)



*MONEL® is a registered trademark of Special Metals Corporation.
Tefzel® is a registered trademark of the DuPont Company.
PEEK™ is a trademark of Victrex PLC.*