

COM-2P Series

Crossover Manifold Regulator System



The COM-2P employs two discrete single stage PR-1-type regulators built into a single body. These regulators serve as the primary and secondary changeover regulators with the common outlet port connected to a single PR-1 Series regulator. This allows for the non-stop delivery of gas from bottles with only a 0.01% change in outlet pressure as the inlet pressure varies. The hardware comes mounted in an attractive 300 series stainless steel panel that is suitable for surface mounting near the bottles. Labels are permanently silk-screened on the face of the panel for easy identification of process ports and gauges. The unit comes complete with pressure gauges and shutoff valves. Suitable for gases and liquids.

Features & Specifications

- Complete panel system including gauges and vent valves for easy installation
- Allows changing of cylinders during operation*
- Available in both stainless steel and brass (other materials also available)
- Steady outlet pressure during cylinder depletion
- 0.01% pressure control accuracy
- Inlet pressures to 6000 psig
- Outlet pressure ranges 0-10 psig, 0-25 psig, 0-50 psig, 0-100 psig or 0-250 psig
- Changeover pressures: 15-250 psig
- Cv flow coefficients 0.025, 0.06, 0.2, 0.5
- All connections: 1/4" FNPT
- 20 micron sintered inlet filters
- PTFE-lined INCONEL® diaphragm, standard
- Operating temperatures: -40° F to +500° F (-40° C to +260° C)

* Installation of shut off valves in each inlet port is recommended for complete isolation during change out of cylinders.

pressure regulators

COM-2P Series

To Order, contact your local Distributor Link below:
www.goreg.com/distributor/index.htm

Verify that your chosen part number is valid using the GO Wizards at
www.goreg.com/products/matrix/index.htm

How to Order

Standard items in bold

COM2 - 1 A P P J 1 1 C B B

BODY MATERIAL

- 1 316L stainless steel, stainless steel diaphragm
- 2 Brass, stainless steel diaphragm
- 4 MONEL®, INCONEL® diaphragm
- C 316L stainless steel, INCONEL® diaphragm, standard**

SEAT MATERIAL

- A Tefzel®**
- B CF PTFE
- H PCTFE
- Q PEEK™

FLOW COEFFICIENT (Cv)

- 3 0.06**
- 5 0.2
- C 0.025**
- H 0.5

PANEL TYPE

- P Deluxe panel**

OPTIONS

- B** EB5
- D** Helium leak test
- E** Pressure test certificate
- F** Certificate of Conformity
- G** CMTR

OUTPUT REGULATOR PORT CONFIGURATION

- B** B style
- L L style
- E E style

OUTPUT REGULATOR OUTPUT RANGE

- C** 0-10 psig
- D** 0-25 psig
- E** 0-50 psig
- G** 0-100 psig
- I** 0-250 psig

OUTPUT REGULATOR PRESSURE GAUGES

- 1** With gauges
- 3** Customer-supplied, to be factory installed

COMBO REGULATOR PRESSURE GAUGES

- 1** With gauges
- 3** Customer-supplied, to be factory installed

COMBO REGULATOR SET POINT

- J** 150 psig over output regulator range

Maximum Temperature & Operating Inlet Pressures

SEAT MATERIAL	MAXIMUM TEMPERATURE*	MAXIMUM OPERATING INLET PRESSURE
Tefzel®	150° F (66° C)	@ 3600 psig (24.82 MPa)
PCTFE	175° F (80° C)	@ 6000 psig (41.37 MPa)
PEEK™	500° F (260° C)	@ 3600 psig (24.82 MPa)
PEEK™	175° F (80° C)	@ 6000 psig (41.37 MPa)
CF PTFE	175° F (80° C)	@ 3600 psig (41.37 MPa)

* Temperatures in excess of 175° F (80° C) require the use of a metal knob or the tamper-proof option.

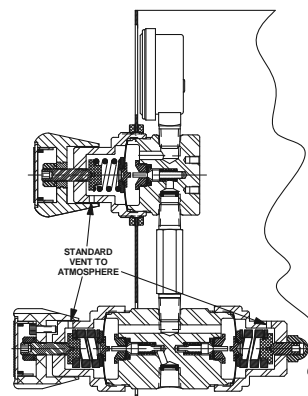
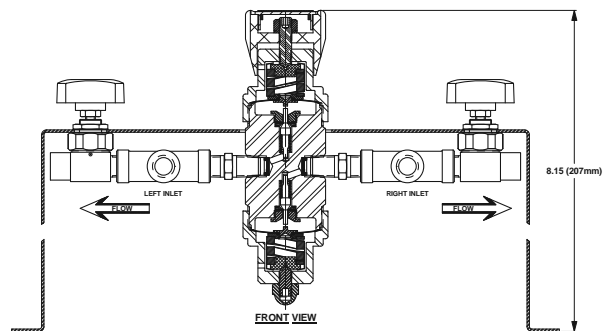
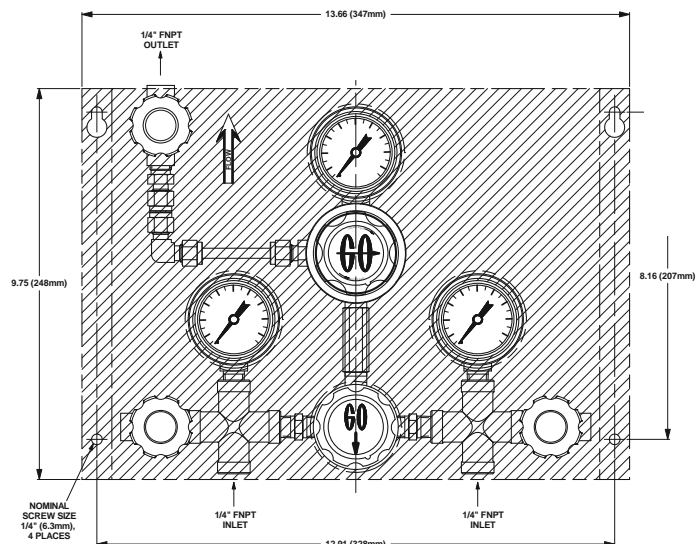
Brass

SEAT MATERIAL	MAXIMUM TEMPERATURE	MAXIMUM OPERATING INLET PRESSURE
Tefzel®	150° F (66° C)	@ 3600 psig (24.82 MPa)
PCTFE	175° F (80° C)	@ 3600 psig (41.37 MPa)
PEEK™	175° F (80° C)	@ 3600 psig (41.37 MPa)
CF PTFE	175° F (80° C)	@ 3600 psig (41.37 MPa)

NOTE: Contact the factory for any additional requirements.

Outline & Mounting Dimensions

Weight = 13.4 lbs (6.09 kg)



Tefzel® is a registered trademark of the DuPont Company.
 MONEL® is a registered trademark of Special Metals Corporation.
 PEEK™ is a trademark of Victrex PLC.