

## CYL-1 Series

Single Stage Brass Cylinder; Gas Pressure Reducing Regulator



(Shown with optional outlet valve)

The CYL-1 Series is designed as a complete compact pressure control module. The basis of this unit is the economical PR-2 Series pressure control valve which is widely used in instrumentation sample systems as well as many other applications requiring maximum reliability. This regulator, when ordered with appropriate gauges and CGA inlet fitting, is designed for use as a compressed gas cylinder regulator for those applications where the corrosion resistance of stainless steel is not a requirement.

### Features & Specifications

- CGA inlet fitting
- Integral inlet filter
- 2" diameter brass gauges
- PTFE-lined stainless steel diaphragm
- Maximum inlet pressure: 3600 psig
- Outlet pressure ranges: 0–10 psig, 0–25 psig, 0–50 psig, 0–100 psig, 0–250, 0–500 and 0–750 psig
- Fluid media; non-corrosive gases
- Operating temperatures: –40° F to +175° F (–40° C to +80° C)
- Cv flow coefficients: 0.025, 0.06, 0.20 and 0.5

pressure regulators

# CYL-1 Series

To Order, contact your local Distributor Link below:  
[www.goreg.com/distributor/index.htm](http://www.goreg.com/distributor/index.htm)

Verify that your chosen part number is valid using the GO Wizards at  
[www.goreg.com/products/matrix/index.htm](http://www.goreg.com/products/matrix/index.htm)

## How to Order

**Standard items in bold**

**C1 - 2 F 1 1 A 3 C 1** **CGA Fitting** **0 0 0** **1 A**

**BODY MATERIAL**  
**2 Brass**

**PORT CONFIGURATION**  
**F Standard**  
 For more port configurations, see page 20.

**PROCESS PORT TYPES**  
**(GAUGE PORT TYPES, IF SPECIFIED)**  
**1 1/4" FNPT (1/4" FNPT gauge ports)**  
**4 3/8" FNPT (1/4" FNPT gauge ports)**

**DIAPHRAGM TYPE**  
**1 Standard diaphragm**  
**3 Self-relieving**  
**8 Tefzel® ring/stainless steel**

**SEAT MATERIAL**  
**A Tefzel®**  
**B CF PTFE**  
**H PCTFE**  
**Q PEEK™**

**OPTIONS**  
**A EB33 (oxygen cleaning)**  
**B EB5 cleaning**  
**D Helium leak test**  
**E Pressure test certificate**  
**F Certificate of Conformity**  
**G CMTR**

**GAUGES**  
**1 Include gauges**  
**2 Omit gauges**  
**3 Customer-supplied, to be factory installed**

**CGA FITTING**  
 Use '000' to omit CGA  
 Use 'CUS' for customer-supplied CGA, to be factory installed

**CAP ASSEMBLY**  
**1 Standard, stainless steel**  
**4 Panel mount, stainless steel**  
**7 Captured vent, stainless steel**  
**8 Tamper proof, stainless steel**

**OUTPUT RANGE**  
**C 0-10 psig**  
**D 0-25 psig**  
**E 0-50 psig**  
**G 0-100 psig**  
**I 0-250 psig**  
**J 0-500 psig**  
**W 0-750 psig**

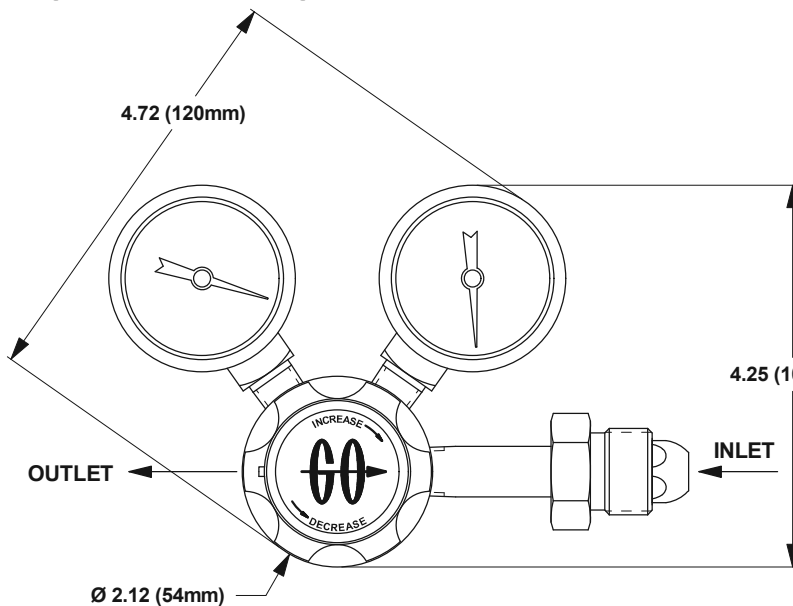
**FLOW COEFFICIENT (Cv)**  
**3 0.06**  
**5 0.2**  
**C 0.025**  
**H 0.5**

## Maximum Temperature & Operating Inlet Pressures

SEAT MATERIAL	MAXIMUM TEMPERATURE	MAXIMUM OPERATING INLET PRESSURE
Tefzel®	150° F (66° C)	@ 3600 psig (24.82 MPa)
PCTFE	175° F (80° C)	@ 3600 psig (24.82 MPa)
PEEK™	175° F (80° C)	@ 3600 psig (24.82 MPa)
CF PTFE	175° F (80° C)	@ 3600 psig (24.82 MPa)

## Outline & Mounting Dimensions

Weight = 1.9 lbs (0.86 kg)



*NOTE: Contact the factory for any additional requirements.*

Tefzel® is a registered trademark of the DuPont Company.  
 PEEK™ is a trademark of Victrex PLC.

