

DL-57 Series

Dome-loaded Pressure Regulator

The DL-57 is a compact and robust design which employs a unique “Dual Piston” set up that enables the user to control pressure up to 10,000 psig (689 bar) with as little as 58 psig(4 bar) of dome pressure. All of this is accomplished within the smallest envelope the industry has to offer.

The regulator portion of this unit was patterned after the time tested PR-57 Series, which is widely recognized as a benchmark of performance and quality. Offering the utmost in safety and corrosion prevention, this unit is constructed from 316L stainless steel. A carefully engineered piston sensor unit offers good sensitivity and repeatability. An independent test was run and showed that the unit’s ability to repeat to a set point and low operating hysteresis is unsurpassed through out the industry.

Completing this design is the addition of a 316 stainless steel dome unit. The inlet ring to the dome is freely rotating and captured by a high tensile snap ring. This feature allows easy positioning and alignment of the dome gas line within a customer’s system while maintaining excellent leak integrity.



pressure regulators

Typical Applications

- Pilot plant
- Off-shore oil and gas rigs
- Pneumatic test benches
- Component testing
- R & D systems
- High pressure booster systems

Features & Specifications

- Gas or liquid service
- Better than 25 Ra finish in diaphragm cavity
- Stainless steel piston sensor
- 20 micron inlet filter
- Bubble-tight shutoff
- Remote dome-loading

Technical Data

CONSTRUCTION	316L stainless steel construction (MONEL® optional)
DOMES RATIOS	11:1, 20:1, 43:1, 56:1, 76:1, 108:1, 122:1, and 172:1
INLET/OUTLET PORTS	¼" FNPT (standard)
OUTLET PRESSURES	up to 10,000 psig (689 bar)
Cv COEFFICIENTS	0.05, 0.20

DL-57 Series

To Order, contact your local Distributor Link below:
www.goreg.com/distributor/index.htm

Verify that your chosen part number is valid using the GO Wizards at
www.goreg.com/products/matrix/index.htm

How to Order

DL57 – 1 A 1 1 Q 2 3 1 1 3 A

BODY MATERIAL

- 1 316 stainless steel
- 2 MONEL®

PORT CONFIGURATIONS

- 1 Standard

For more port configurations, see page 9.

PROCESS PORT TYPES (GAUGE PORT TYPE, IF SPECIFIED)

- 1 ¼" FNPT (¼" FNPT gauge ports)
- 4 ⅜" FNPT (¼" FNPT gauge ports)

SURFACE FINISH OF DIAPHRAGM CAVITY

- 1 < 25 Ra
- 5 < 25 Ra with 10-32 mounting holes

SEAT MATERIAL

- C Polyimide
- Q PEEK™

OPTIONS

- B EB5 cleaning
- D Helium leak test
- E Pressure test certificate
- F Certificate of Conformity
- G CMTR

DOMESTYLE

- 3 Stainless steel, standard
- 4 Captured vent, stainless steel

PISTON MATERIAL

- 1 Stainless steel
- 4 MONEL®

PISTON TYPE

- 1 Non-self-relieving, Viton® cavity O-ring
- 2 Non-self-relieving, PTFE cavity O-ring
- 3 Self-relieving, Viton® cavity O-ring
- 4 Self-relieving, PTFE cavity O-ring

DOMERATIO

- 0 11:1
- 1 43:1
- 2 56:1
- 3 76:1
- 4 108:1
- 5 122:1
- 6 172:1
- 7 20:1

FLOW COEFFICIENT (Cv)

- 2 0.05
- 5 0.2

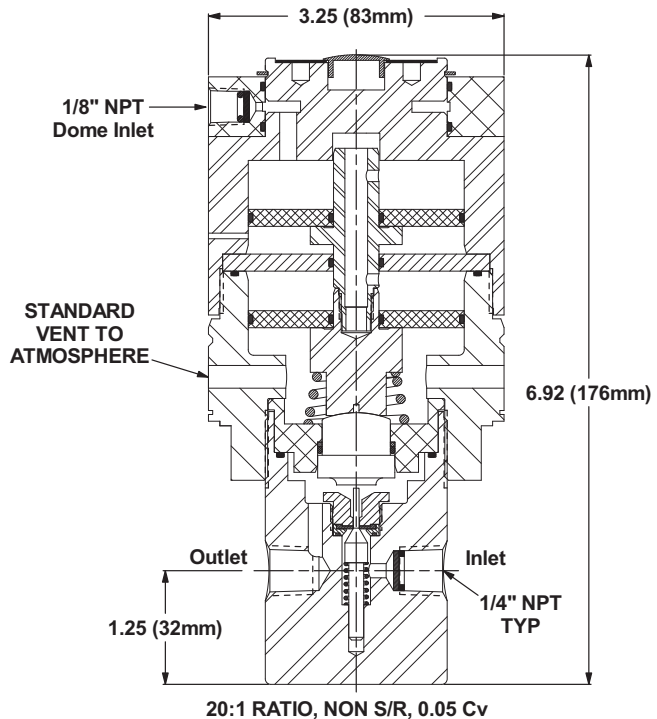
NOTE: Contact the factory for any additional requirements.

Maximum Temperature & Operating Inlet Pressures

SEAT MATERIAL	MAXIMUM TEMPERATURE	@	MAXIMUM OPERATING INLET PRESSURE
Polyimide	150° F (66° C)	@	10,000 psig (689 bar)
PEEK™	150° F (66° C)	@	10,000 psig (689 bar)

Outline and Mounting Dimensions

Weight = 5.4 lbs (2.45kg)



MONEL® is a registered trademark of Special Metals Corporation.
 PEEK™ is a trademark of Victrex PLC.
 Viton® is a registered trademark of DuPont Dow Elastomers.