

F-6K In-line or Bypass Filter



The F-6K in-line or bypass filter has been designed with bar stock construction to provide reliable and economical filtration of streams having pressures up to 6,000 psig (41.37 MPa) at 70° F (20° C).

Materials of construction (standard) are 316 stainless steel and PTFE for maximum service capability at economical prices. If a greater level of corrosion protection is required, this unit can be made (option) from MONEL® or HASTELLOY® C-276. The sintered 316 stainless steel filter element, with filtration ranges between 2 and 55 microns (μ), can be easily changed without removing the filter from the line. Standard connections are $\frac{1}{4}$ " FNPT. The optional bypass port is standard as $\frac{1}{8}$ " FNPT.

Features & Specifications

- Nominal ratings of filtration available:
 - 2–5 μ sintered
 - 5–9 μ sintered
 - 10–15 μ sintered
 - 20–30 μ sintered
 - 40–55 μ sintered
 - 100 μ 316 stainless steel mesh
 - 150 μ 316 stainless steel mesh
- Available with optional bypass

filters

F-6K In-line or Bypass Filter

To Order, contact your local Distributor Link below:
www.goreg.com/distributor/index.htm

Verify that your chosen part number is valid using the GO Wizards at
www.goreg.com/products/matrix/index.htm

How to Order

F6K 101700 - 3 | 1

FILTER STYLE & MATERIAL

- 101700** In-line, stainless steel, 1/4" FNPT connections
- 101830** 1/8" NPT bypass, stainless steel, 1/4" FNPT connections
- 101850** 1/4" FNPT bypass, stainless steel, 1/4" FNPT connections
- 102980** In-line, MONEL®, 1/4" FNPT connections*
- 102981** 1/8" FNPT, bypass, MONEL®, 1/4" FNPT connections*
- 102982** 1/4" FNPT bypass, MONEL®, 1/4" FNPT connections*
- 107476** In-line, stainless steel, 1/4" MNPT outlet, 1/4" FNPT inlet
- 107519** 1/8" bypass, stainless steel, 1/4" MNPT outlet, 1/4" FNPT inlet
- 107518** 1/4" bypass, stainless steel, 1/4" MNPT outlet, 1/4" FNPT inlet

* MONEL® not available with mesh elements.

OPTIONS (NOT REQUIRED)

- A** EB33 (oxygen cleaning)
- B** EB5 cleaning
- D** Helium leak test
- E** Pressure test certificate
- F** Certificate of Conformity
- G** CMTR

VOLUME

- 1** Standard
- 2** Low volume

O-RING MATERIAL

- I** PTFE
- D** Viton®

FILTER RATING

- 1** 2-5µ sintered
- 2** 5-9µ sintered
- 3** 10-15µ sintered
- 4** 20-30µ sintered
- 5** 40-55µ sintered
- 6** 100µ 316 stainless steel mesh
- 7** 150µ 316 stainless steel mesh

NOTE: Contact the factory for any additional requirements.

Maximum Temperature & Operating Inlet Pressures

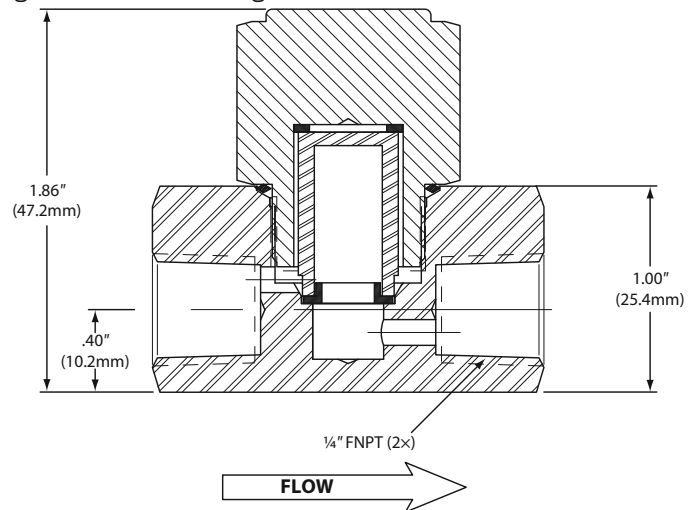
Seal Material	Maximum Temperature	@	Operating Inlet Pressure
Viton®	70° F (20° C)	@	6,000 psig (41.37 MPa)
	175° F (80° C)	@	3,600 psig (24.82 MPa)
PTFE	70° F (20° C)	@	6,000 psig (41.37 MPa)
	150° F (66° C)	@	3,600 psig (24.82 MPa)

WARNING: If regulators are used in flammable or toxic applications, national and/or local regulations may require the use of a captured vent.

It is the responsibility of the customer to determine if a captured vent is applicable.

Outline Dimensions

Weight = 0.6 lbs (0.27kg)



Repair Kit Information

Stainless Steel

Part Number	Description
101705	In-line 2-5µ range
101706	In-line 5-9µ range
101707	In-line 10-15µ range
101708	In-line 20-30µ range
101709	In-line 40-50µ range
101855	In-line 100µ mesh element
101833	Bypass 2-5µ range
101832	Bypass 5-9µ range
101834	Bypass 10-15µ range
101835	Bypass 20-30µ range
101836	Bypass 40-55µ range

MONEL®

Part Number	Description
103861	In-line 2-5µ range
103862	In-line 5-9µ range
103863	In-line 10-15µ range
103864	In-line 20-30µ range
103865	In-line 40-50µ range
103866	Bypass 2-5µ range
103867	Bypass 5-9µ range
103868	Bypass 10-15µ range
103869	Bypass 20-30µ range
103870	Bypass 40-55µ range

MONEL® is a registered trademark of Special Metals Corporation.
 HASTELLOY® C-276 is a registered trademark of Haynes International, Inc.
 Viton® is a registered trademark of DuPont Dow Elastomers